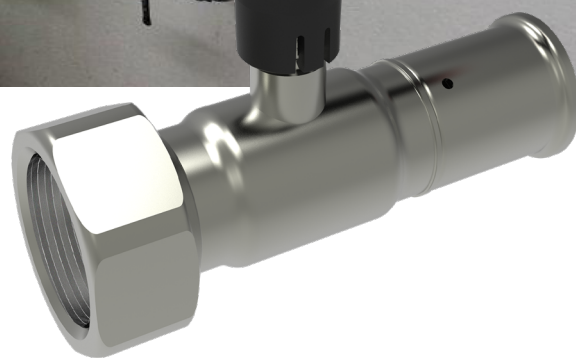
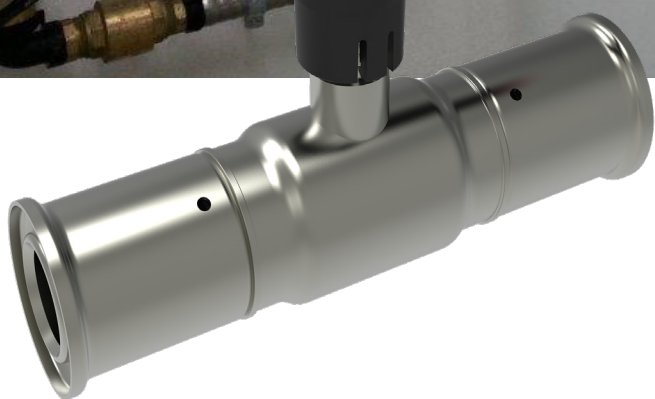




HENCO **FULL FLOW VALVES**

Next generation valve technology



WE **CARE TO CONNECT**



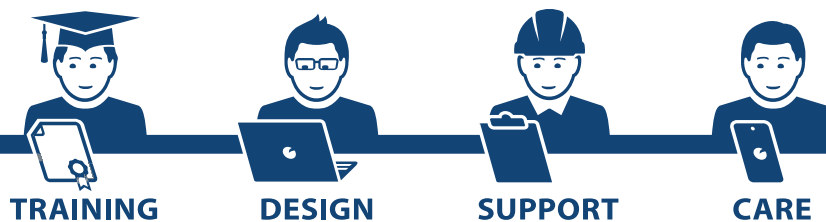
Henco Industries NV's success story started in 1992, when entrepreneur Louis Hendrickx launched the multilayerpipe. Today, Henco is a company with more than 300 employees, producing more than 130 million metres of pipe and more than 11 million premium quality fittings annually.

Since 2008 Henco has been part of Aalberts, a groundbreaking innovator and global player in the field of groundbreaking technologies for the building serves industry and improvement of everyday life. Shared knowledge helps makes great achievements possible. Making a strong connection, that's what it's all about. By staying focused and true to our values, we strive to achieve the ultimate goal every time.

We combine our forces to develop the perfect solution that makes installations faster, easier and more efficient. We make sustainable connections between people and installation components and ultimately between people and a liveable environment.

We at Henco are happy to take care of our customers, focusing on a personal and authentic approach. For instance, together with you, we always look for the best solution. We act with professionalism, honesty and integrity.

We also guarantee a comprehensive service. Throughout the entire process, you can count on our support. We do not leave you out in the cold, you can contact us for advice or questions, even during the installation.



TRAINING

Henco offers information, training and advice that will keep you up-to-date with all the latest developments and solutions.

DESIGN

Henco has more than 25 years experience and is capable of working closely together with you and helping you through the entire design and project management process.

SUPPORT

Our technical support team is on standby and keen on collaborating with engineers and installers to ensure an optimal result during and after the installation process.

CARE

Service is assured after the delivery of our products – from the initial contact and all the way through the process. If you are in need of expertise and assistance, we are ready to support.

Next generation valve technology

Henco has developed a new valve that delivers the reliability, efficiency and quality required by modern buildings.

Henco Full Flow Valves are a new generation of valves that provide many more options for complete solutions with uniform connection technology and material properties.

The new Henco Full Flow Valve is remarkably flexible delivering trouble free valve available. It delivers trouble-free operation in countless systems because its material standards

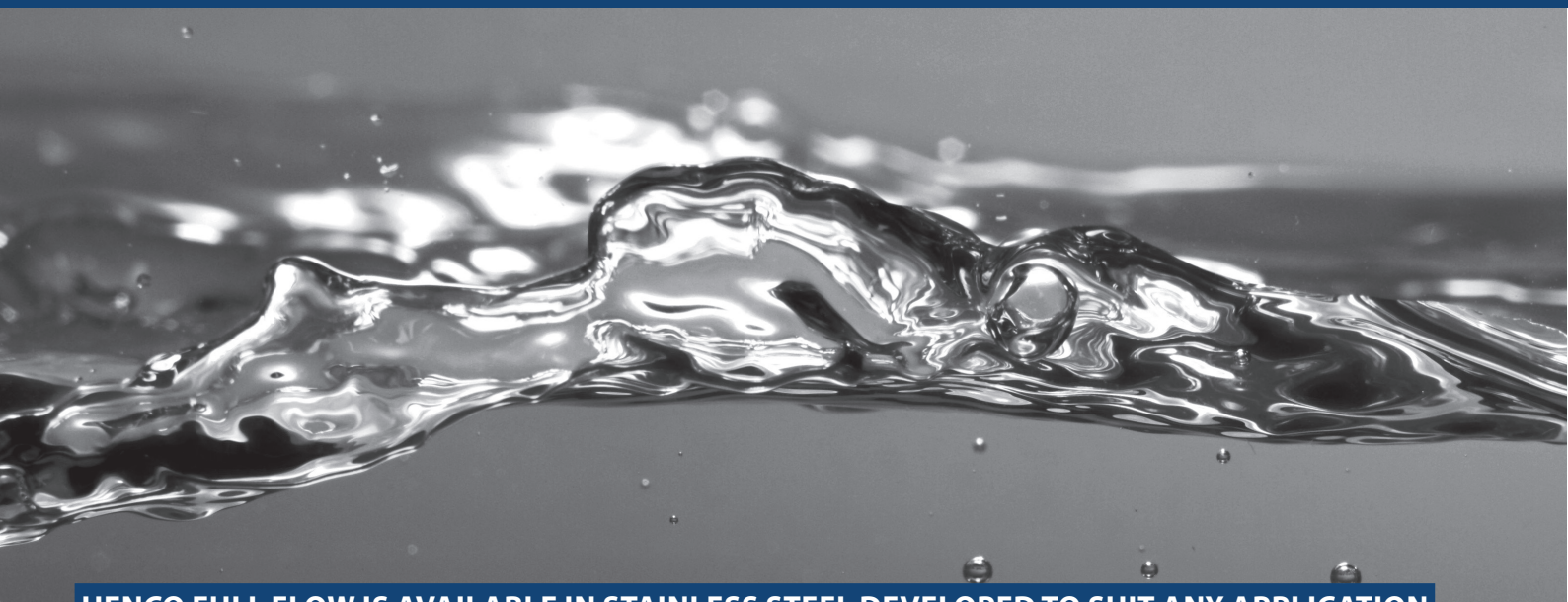


- Many applications – One Technology
- Compact Full Flow design
- Connection flexibility
- Unique valve identification

16 - 32 mm | PN16 | Temp: -10°C and +95°C | Press, thread, swivel nut or euroconus thread

Henco Full Flow

Next generation valve technology



HENCO FULL FLOW IS AVAILABLE IN STAINLESS STEEL DEVELOPED TO SUIT ANY APPLICATION

Domestic water

Henco Full Flow Valves ensure that all standards that apply to water and domestic water systems are complied with. Stainless-steel Henco Full Flow Valves are corrosion-resistant in relation to ordinary domestic water. All metal parts in Henco Full Flow Valves used for domestic water are made from acid-proof* stainless steel (AISI 316), which minimizes the risk of mixing with other material types in corrosion-resistant installations.

Treated water

Henco Full Flow Valves made from stainless steel are ideal for use with treated water where materials must meet stringent requirements. All parts that come into contact with water – including the ball – are made from acid resistant stainless steel (AISI 316).

Heating systems

The Henco Full Flow Valves are the best solution for heating systems. Strict quality testing is carried out on every single compact valve throughout the entire production process and they are all leak tested before they leave the factory. The combination of energy-optimized flow design and laser welding ensures that all fittings have very low internal flow resistance. Henco Full Flow Valves are the optimal choice when energy efficiency is important.

*Check with technical statement

Cooling systems

Henco Full Flow Valve is the valve of tomorrow when it comes to cooling installations. It delivers the same benefits you get with heating installations – an optimal energy-efficient solution with the lowest possible flow resistance. You can also choose the connection type that best suits the individual installation.

Compressed air

Henco Full Flow Valves can be used in many different types of compressed air installations*. Doubting if the Henco Full Flow Valves are suited for a specific medium? Don't hesitate to consult Henco.



HENCO FULL FLOW VALVES – STAINLESS STEEL BALL VALVE

Henco Full Flow Valves stainless steel valves are particularly well suited for drinking water installations, but they can also be used for other purposes, such as:

- Central heating systems
- District heating systems
- Cooling systems
- Industry
- Certain types of compressed air systems
- Systems for treated water

Henco Full Flow

Next generation valve technology

Compact Full Flow design

The compact Henco Full Flow valve housing provides the best insulation option on the market, meeting modern HVAC system requirements. Streamlined full flow design.

Seat design

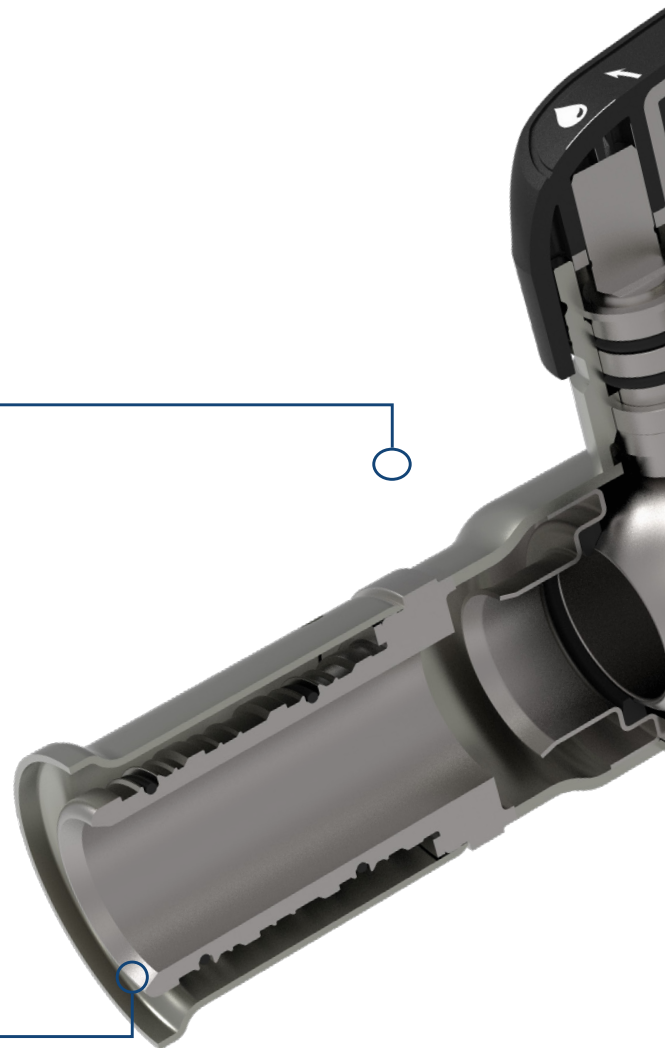
The patented spring supported seat design ensures optimal tightness, smooth operation and long lifetime.

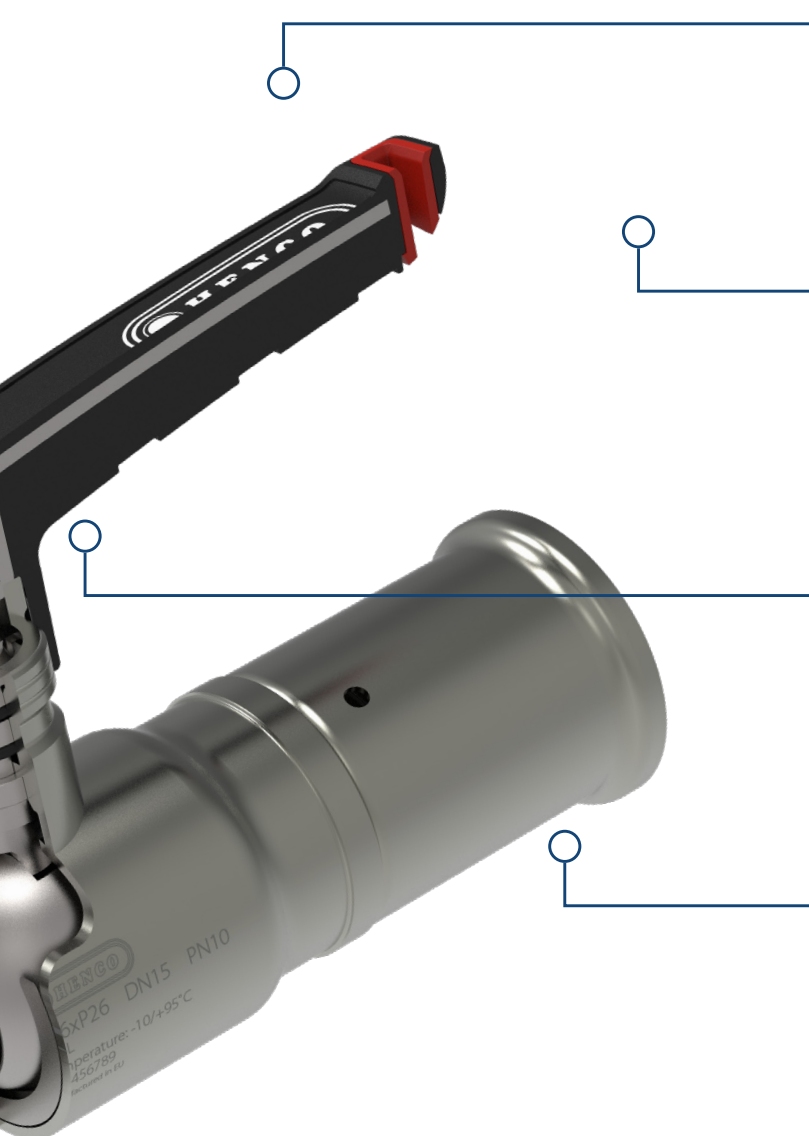
Leak Before Press

All press valves are leak tested using "Leak Before Press", which minimises the risk of leaks.

Unique valve identification

All Henco Full Flow valves are individually marked with a unique identification number and data matrix with information about process, quality and distribution at the individual valve level. All valves are leak tested before they leave the factory.





Handle

The ergonomic handle is specially designed for easy activation. The handle is made from fibreglass-reinforced nylon cast around a metal reinforcement and it can be fitted in both directions without the use of tools.

Clips

The handle has replaceable clips that ensure easy identification, e.g. cold and hot water or supply and return flow. The clip can also be fitted with a label.

Stem

All valves are fitted with a short stem.

Connection flexibility

The Henco Full Flow system can be quickly and easily connected to other connection technologies – press, threaded, swivel nut or euroconus thread.. The valves are suitable for many applications.

Laser marking

As standard, Henco Full Flow valves are clearly marked by laser, showing information about size, material and pressure class. The valves are also colour-coded to indicate the type of material. Green for stainless steel.

Henco Full Flow overview

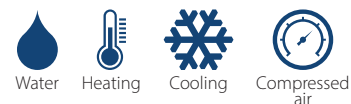
DN10-50 | PN16 | Temp: -10°C and +95°C | Press, thread, swivel nut or euroconus thread

Technical data

Henco Full Flow Valves – STAINLESS STEEL

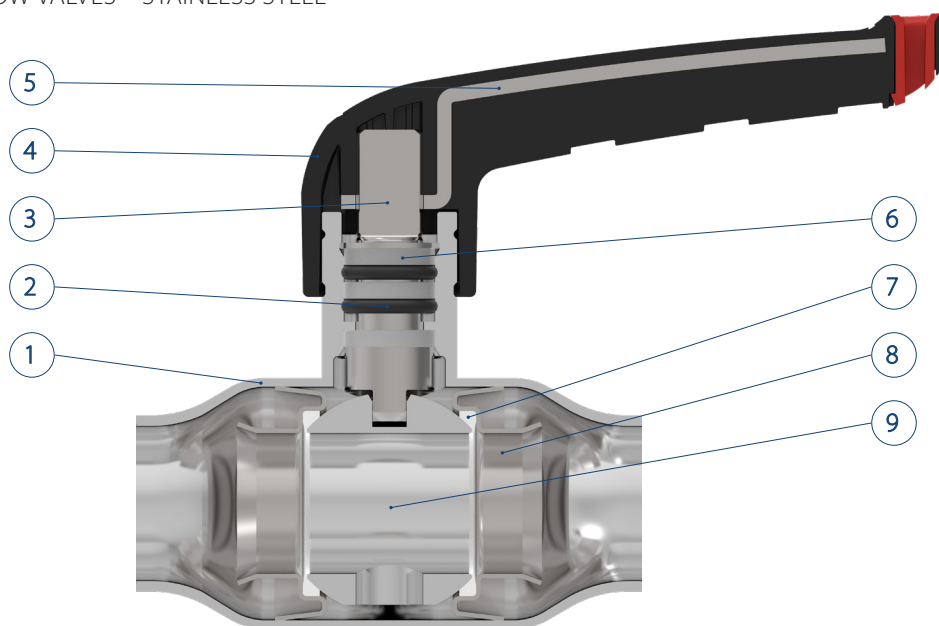
Material, valve housing:	Stainless steel EN 1.4404
Material, handle:	PA66 - fiberglass-reinforced nylon with metal insert
Sizes:	DN10-50
Seals:	PTFE*
O-rings:	EPDM**
Connections:	Press, female, male and swivel nut
Leakage protection:	LBP - Leak Before Press
Medium:	Water
Operating pressure:	Max. 10 bar (marked with PN10, cf. EN 13828)
Operating temperature:	-10°C to +95°C
Press tools:	Only approved press machines with M-jaws or slings, in accordance with published tool list
Heat expansion coefficient:	0.0160 mm per mtr. $\Delta T = 1k$

* Ethylene Propylene Diene Monomer ** Polytetrafluorethylene



Product description

HENCO FULL FLOW VALVES – STAINLESS STEEL



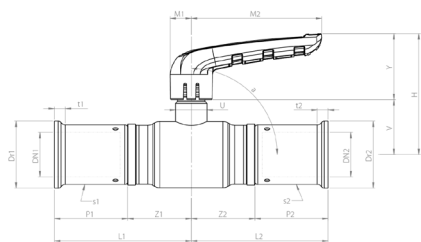
No.	Component	Material	Standard
1	Valve housing	Stainless steel	EN 1.4404
2	O-ring	EPDM	
3	Stem	Stainless steel	EN 1.4401
4	Handle	Fiberglass-reinforced nylon	PA66
5	Metal reinforcement	Galvanized steel	EN 1.4401

No.	Component	Material	Standard
6	Friction ring	PTFE	
7	Seal	PTFE	
8	Spring support ring	Stainless steel	EN 1.4401
9	Ball	Stainless steel	EN 1.4401

Note: Threads in accordance with ISO 228/1

Henco Full Flow ball valve

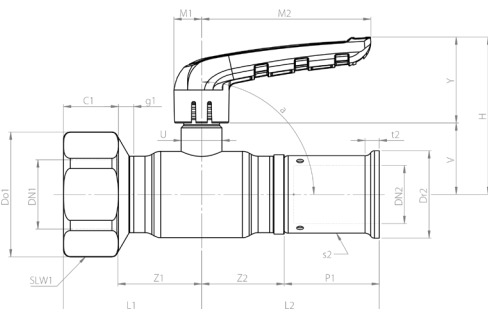
Stainless Steel | Press × Press



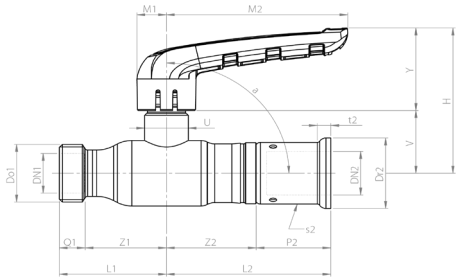
Article code	Dimension	L1	DN1	Dr1	Z1	SLW1	L2	DN2	Dr2	Z2
BAP-FFV1616	16 x 16	64,3	8	22,2	33,5		64,3	8,0	22,2	33,5
BAP-FFV2020	20 x 20	64,3	12	26,0	33,5		64,3	12,0	26,0	33,5
BAP-FFV2626	26 x 26	67,8	15	32,3	37,0		67,8	15,0	32,3	37,0
BAP-FFV3232	32 x 32	78,5	20	38,5	36,5		78,5	20,0	38,5	36,5

Henco Full Flow ball valve

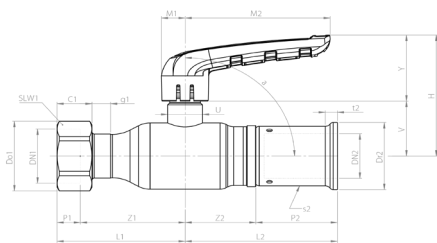
Stainless Steel | Female × Press



Article code	Dimension	L1	DN1	Dr1	Z1	SLW1	L2	DN2	Dr2	Z2
BAP-FFV1604	16 x 1/2"	46,2	1/2" (DN10)	30,0	27,0	27,0	64,3	8,0	22,2	33,5
BAP-FFV1805	18 x 3/4"	51,5	3/4" (DN10)	35,0	27,0	32,0	64,3	10,0	24,2	33,5
BAP-FFV2005	20 x 3/4"	51,5	3/4" (DN10)	35,0	27,0	32,0	64,3	12,0	26,0	33,5
BAP-FFV2605	26 x 3/4"	51,5	3/4" (DN15)	36,0	30,5	32,0	67,8	15,0	32,3	37,0
BAP-FFV2606	26 x 1"	58,5	1" (DN15)	45,0	30,5	41,0	67,8	15,0	32,3	37,0
BAP-FFV3207	32 x 1 1/4"	61	1 1/4" (DN20)	55,0	30,0	50,0	78,5	20,0	38,5	36,5



Article code	Dimension	L1	DN1	Dr1	Z1	SLW1	L2	DN2	Dr2	Z2
BAP-FFV1605EK	16 x 3/4"	40,7	16	26,4	27,0	-	64,3	8,0	22,2	33,5
BAP-FFV2005EK	20 x 3/4"	40,7	16	26,4	27,0	-	64,3	12,0	26,0	33,5
BAP-FFV2605EK	26 x 3/4"	44,2	16	26,4	30,5	-	67,8	15,0	32,3	37,0



Article code	Dimension	L1	DN1	Dr1	Z1	SLW1	L2	DN2	Dr2	Z2
BAP-FFV16Z05	16 x 3/4"	52,5	3/4" (DN10)	35,0	45,0	32,0	64,3	8,0	22,2	33,5
BAP-FFV20Z05	20 x 3/4"	52,5	3/4" (DN10)	35,0	45,0	32,0	64,3	12,0	26,0	33,5
BAP-FFV26Z05	26 x 3/4"	56,0	3/4" (DN15)	35,0	48,5	32,0	67,8	15,0	32,3	37,0
BAP-FFV26Z06	26 x 1"	58,0	1" (DN15)	40,0	48,5	36,0	67,8	15,0	32,3	37,0
BAP-FFV32Z06	32 x 1"	66,0	1" (DN20)	40,0	56,4	36,0	78,5	20,0	38,5	36,5



WE CARE TO CONNECT